

TOW 'N' MOW

HEAVY DUTY SLASHERS

Tow 'n' Mow Slashers are suitable to be towed behind 4 wheel ATVs, any ride-on mowers or similar 4 wheelers.

Used as an independent cutting attachment the unit can be used to mow lawns or slash paddock grass.



www.tow-n-mow.com.au



Mow Lawns



Slash Paddock Grass



Triple Blade Cutting System



Easy Maintenance



Quick adjustable height control turnbuckle



Choice of quality Honda engines

TOW 'N' MOW Slashers are manufactured from quality materials, powdercoated and zinc plated for long lasting performance in the harshest of environments.

Fully Australian Owned and Manufactured.

Models:

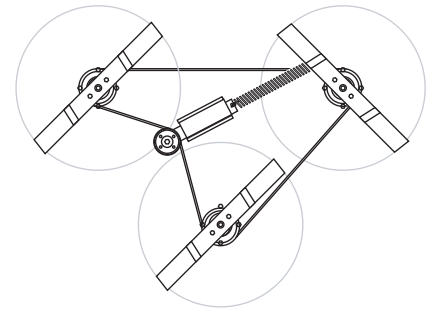
• TNM-13M	Manual Start	Alloy pulleys	13Hp	(GXV390)
• TNM-13ME	Man & Elec Start	Steel Pulleys	13Hp	(GXV390)
• TNM-16E	Electric Start	Steel Pulleys	16Hp	(GXV530)
• TNM-23E	Electric Start	Steel Pulleys	23Hp	(GXV630)

Features :

- Triple Blade Cutting System
- Quick adjustable height control turnbuckle
- Rear grass discharge
- Suitable for vineyards, orchards & large areas
- 1170mm (46") cutting width
- Configurable side or standard centre drawbar position
- Easy maintenance to all belts, blades & pulleys.
- Optional 50mm Trailer Coupling (Draw Bar).

Specifications :

Overall length:	2000mm
Overall width:	1200mm
Overall height:	550mm – 750mm
Tyre size:	(6 Ply) 4.00-8
Cutting heights:	20mm – 250mm
Cutting deck:	5mm Plate
Dry mass:	180 – 190kg



TOW 'N' MOW Slashers available from: